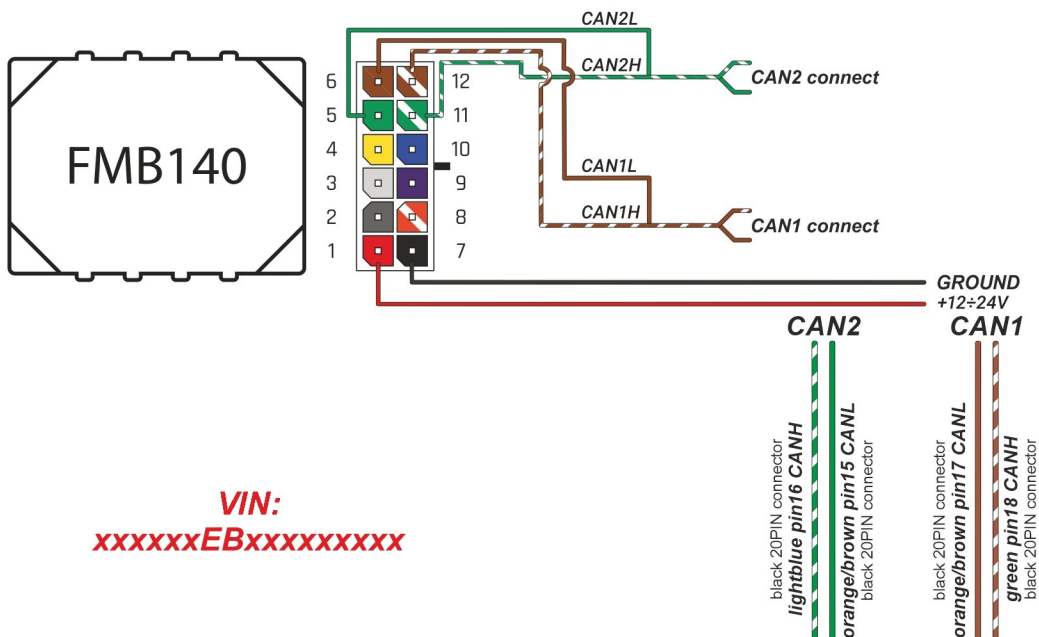
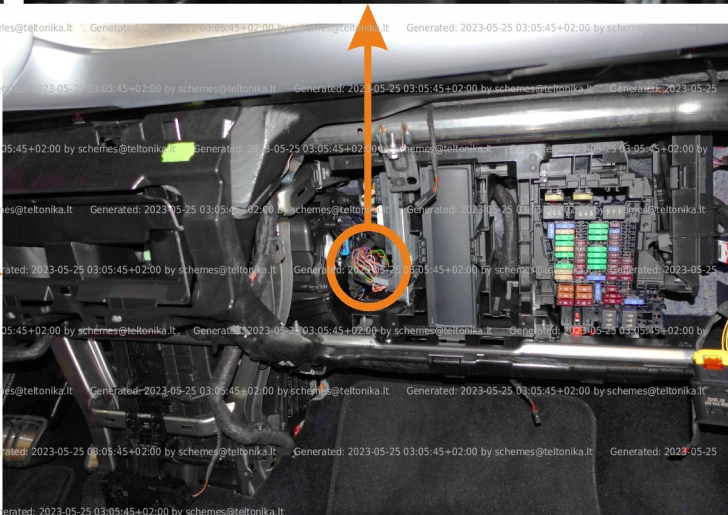
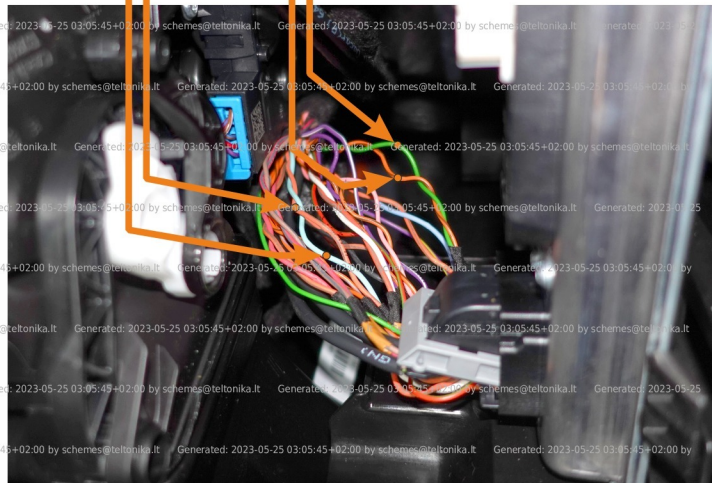
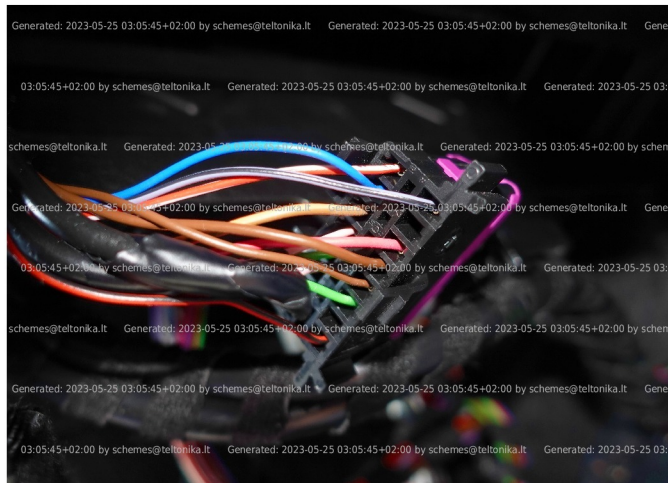


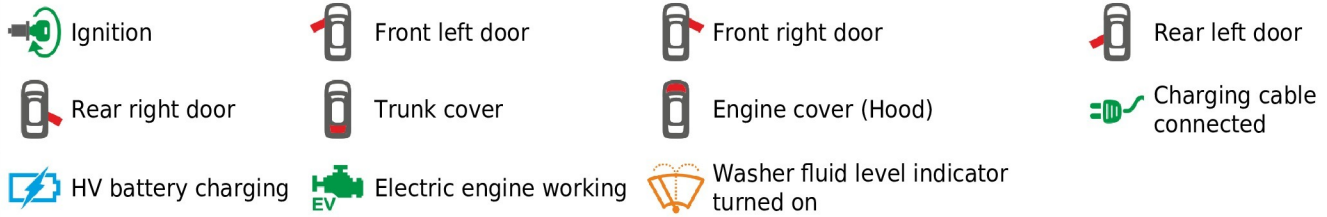
Brand, Model	Device: <b>FMB140 LV-CAN</b>	Year:	Rev.:
<b>VW ID. BUZZ (EB) (Electric)</b>		<b>2023→</b>	<b>11</b>
Version: <b>with and without Keyless System</b>	program №: <b>14516</b> from: <b>2023-05-22</b>		



**VIN:**  
**xxxxxxEBxxxxxxxx**



## Flags:



## General parameters:

- Total mileage of the vehicle (dashboard)
- Vehicle mileage - (counted)
- Vehicle speed
- Acceleration pedal position
- HV battery level