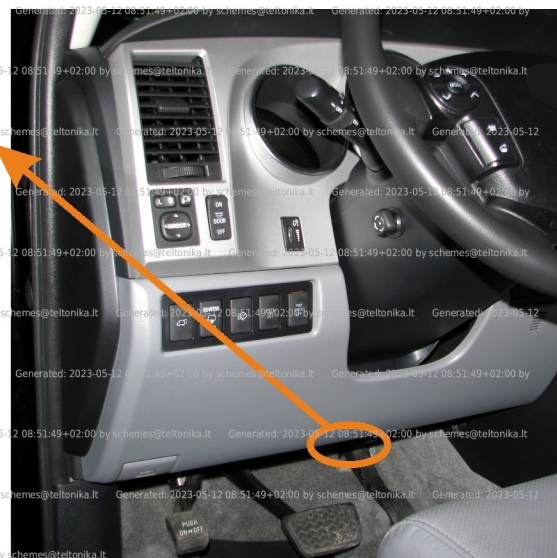
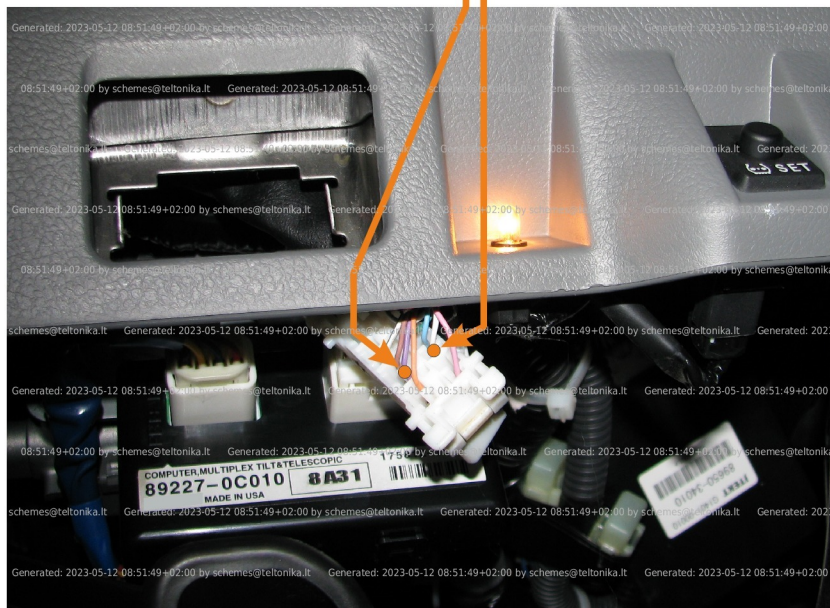
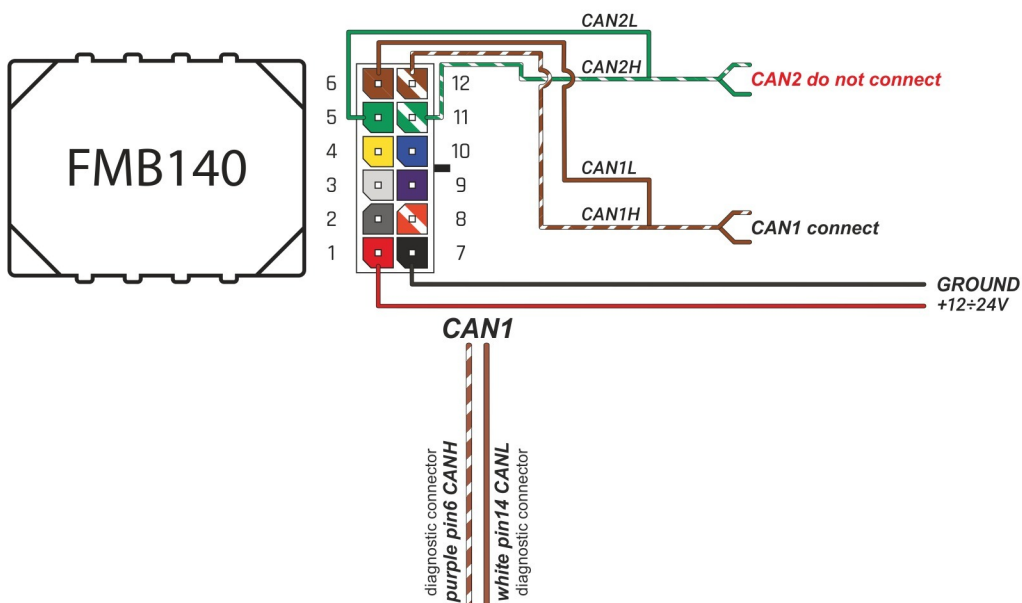


Brand, Model	Device: <b>FMB140 LV-CAN</b>	Year:	Rev.:
<b>TOYOTA SEQUOIA</b>		<b>2008→</b>	<b>04</b>
Version: <b>with and without Keyless System</b>		program №: <b>11138</b> from: <b>2017-09-01</b>	



## Flags:



## General parameters:

Attention:  - parameter is not available using the contactless reader.

- Total mileage of the vehicle (dashboard)
- Vehicle mileage - (counted)
- Total fuel consumption - (counted)
- Fuel level (in liters)
- Engine speed (RPM)
- Engine temperature
- Vehicle speed