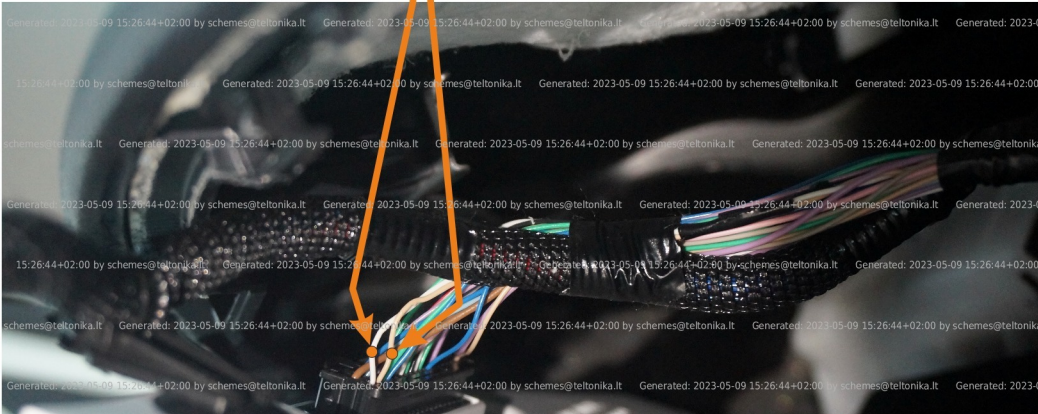
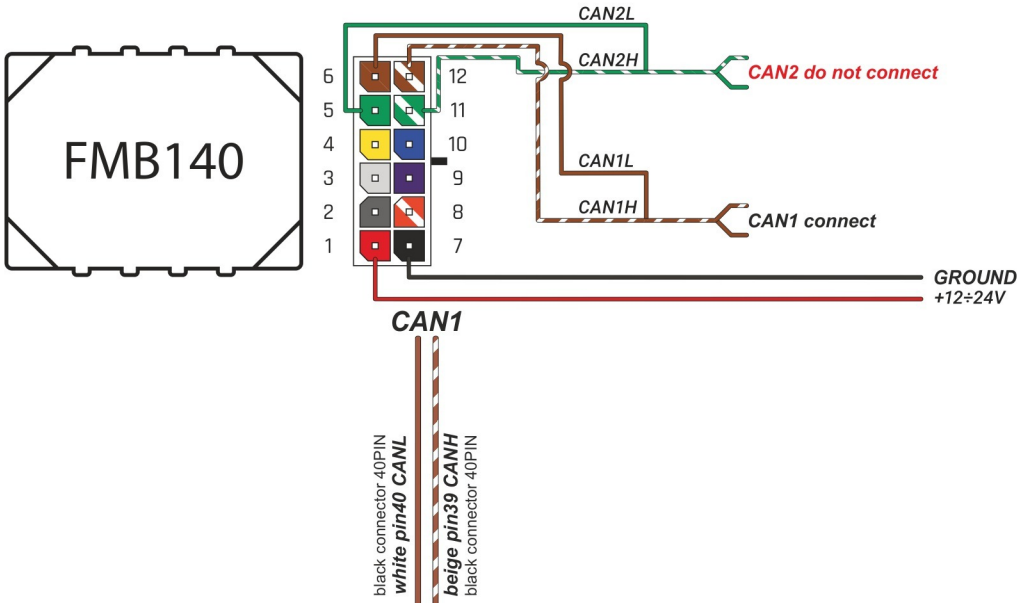


Brand, Model	Device: FMB140 LV-CAN	Year:	Rev.:
TOYOTA LAND CRUISER 200 (V8)		2017→	06
Version: with and without Keyless System	program №: 11831 from: 2023-04-18		



Flags:



General parameters:

Attention: - parameter is not available using the contactless reader.

- Total mileage of the vehicle (dashboard)
- Vehicle mileage - (counted)
- Total fuel consumption - (counted)
- Fuel level (in liters)
- Engine speed (RPM)
- Engine temperature
- Vehicle speed