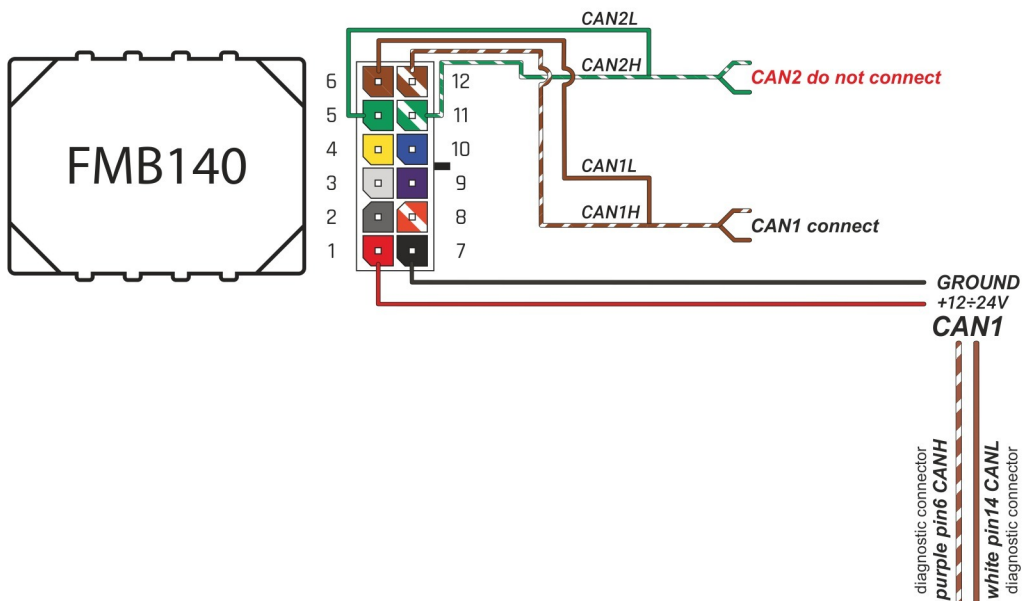




Brand, Model	Device: FMB140 LV-CAN	Year:	Rev.:
TOYOTA LAND CRUISER 200 (4,7L V8 PETROL)		2008→	05
Version: with and without Keyless System		program №: 12316 from: 2021-09-29	



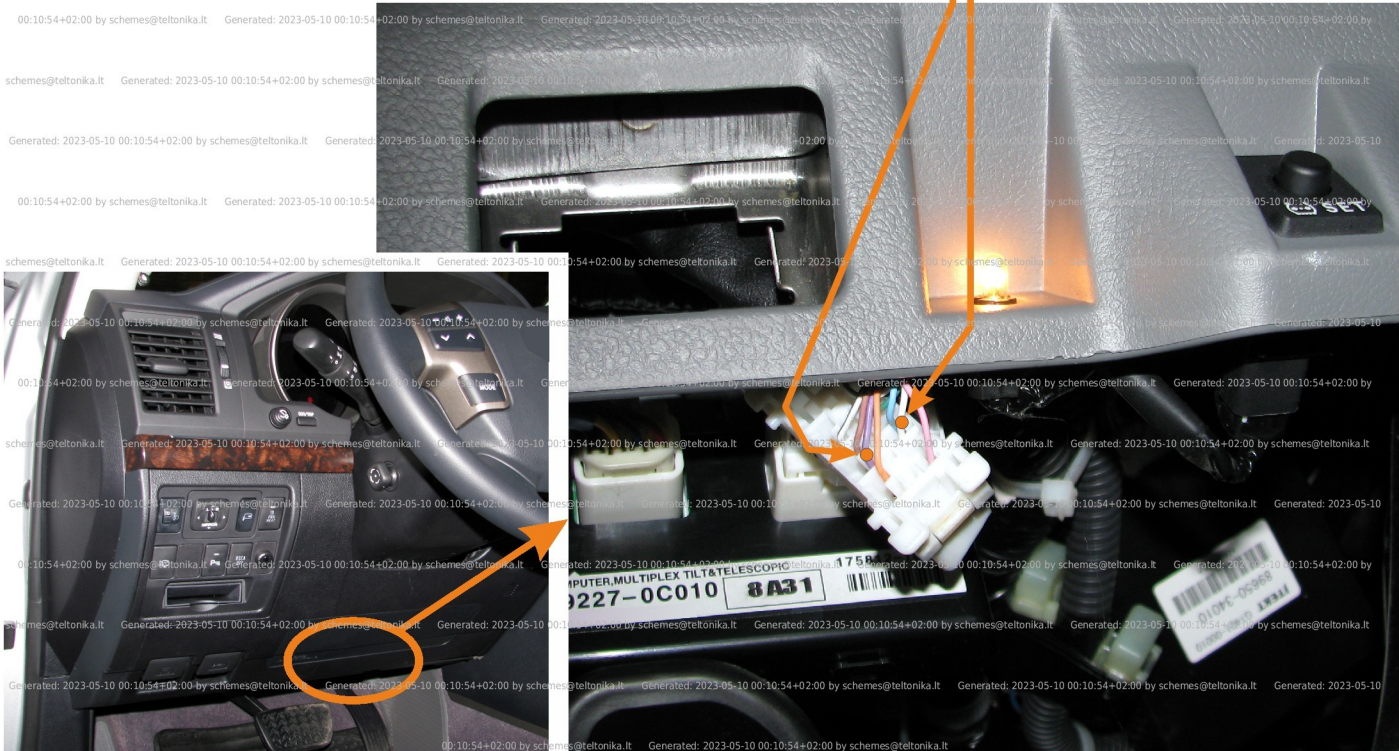
Generated: 2023-05-10 00:10:54+02:00 by schemes@teltonika.lt

Generated: 2023-05-10 00:10:54+02:00 by schemes@teltonika.lt

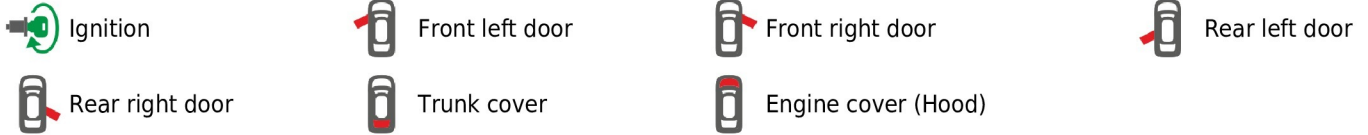
Generated: 2023-05-10 00:10:54+02:00 by schemes@teltonika.lt

Generated: 2023-05-10 00:10:54+02:00 by schemes@teltonika.lt

Generated: 2023-05-10 00:10:54+02:00 by schemes@teltonika.lt



Flags:



General parameters:

Attention: - parameter is not available using the contactless reader.

- Total mileage of the vehicle (dashboard)
- Vehicle mileage - (counted)
- Total fuel consumption - (counted)
- Fuel level (in liters)
- Engine speed (RPM)
- Engine temperature
- Vehicle speed
- Acceleration pedal position