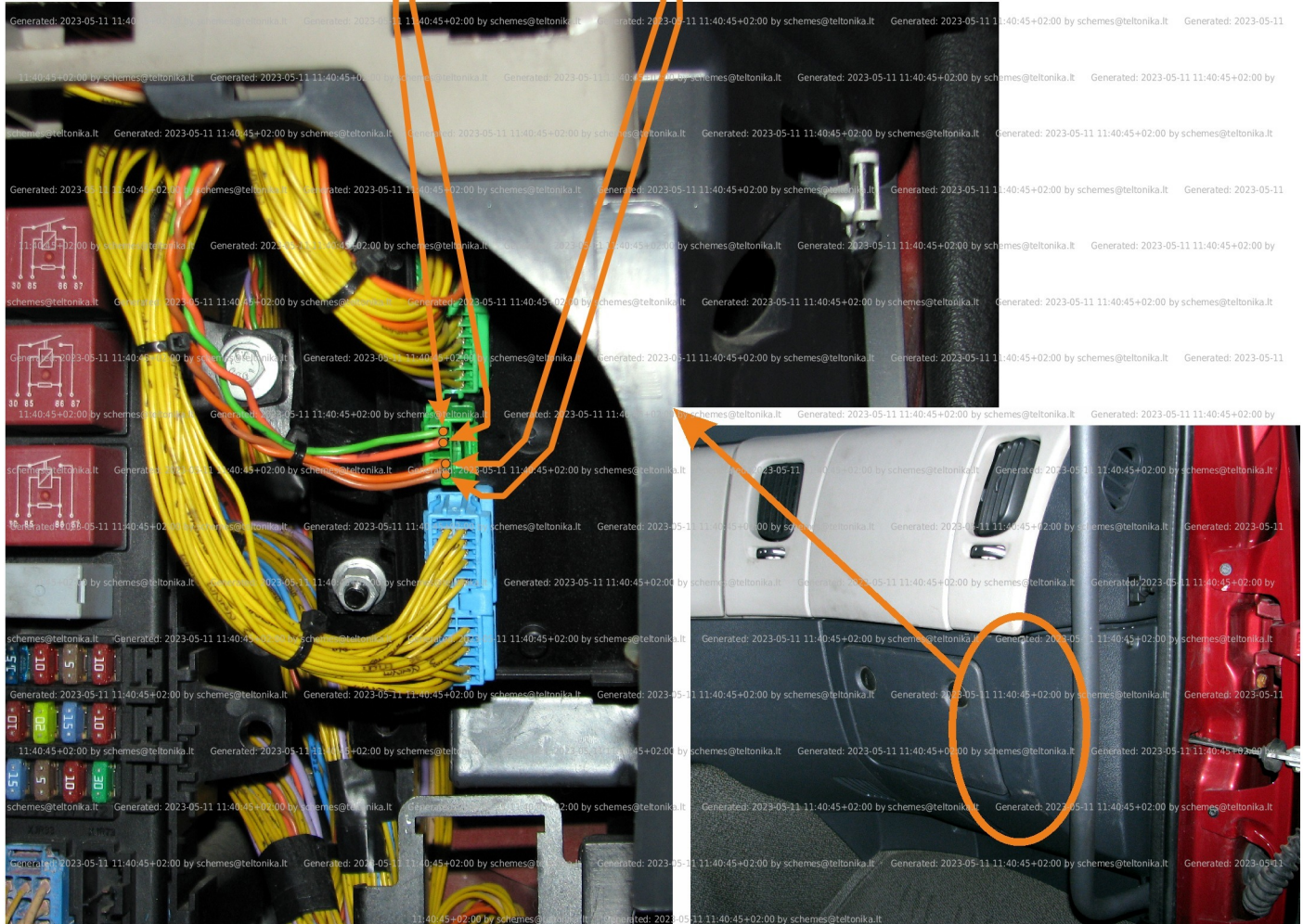
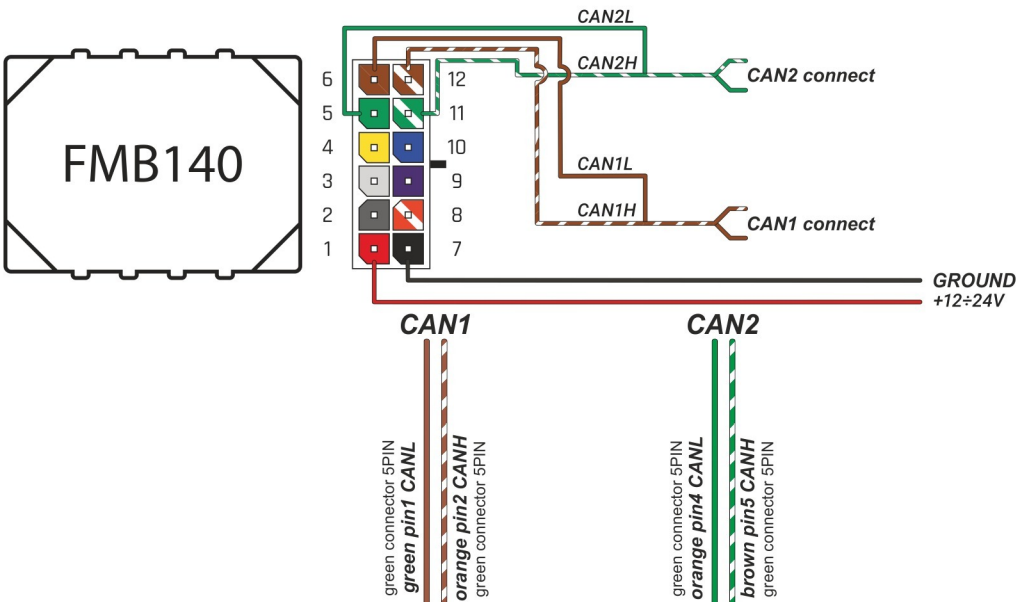


Brand, Model	Device: FMB140 LV-CAN	Year:	Rev.:
RENAULT PREMIUM DXi (627)		2006→	04
Version:	program №: 11418 from: 2017-09-01		



Flags:

Attention: - parameter is not available using the contactless reader.



Ignition

General parameters:

Attention: - parameter is not available using the contactless reader.

- | | | |
|---|-------------------------------|---|
| <input type="checkbox"/> ● Total mileage of the vehicle (dashboard) | ● Vehicle mileage - (counted) | <input type="checkbox"/> ● Total fuel consumption |
| <input type="checkbox"/> ● Fuel level (in percent) | ● Engine speed (RPM) | <input type="checkbox"/> ● Engine temperature |
| ● Vehicle speed | ● Acceleration pedal position | |