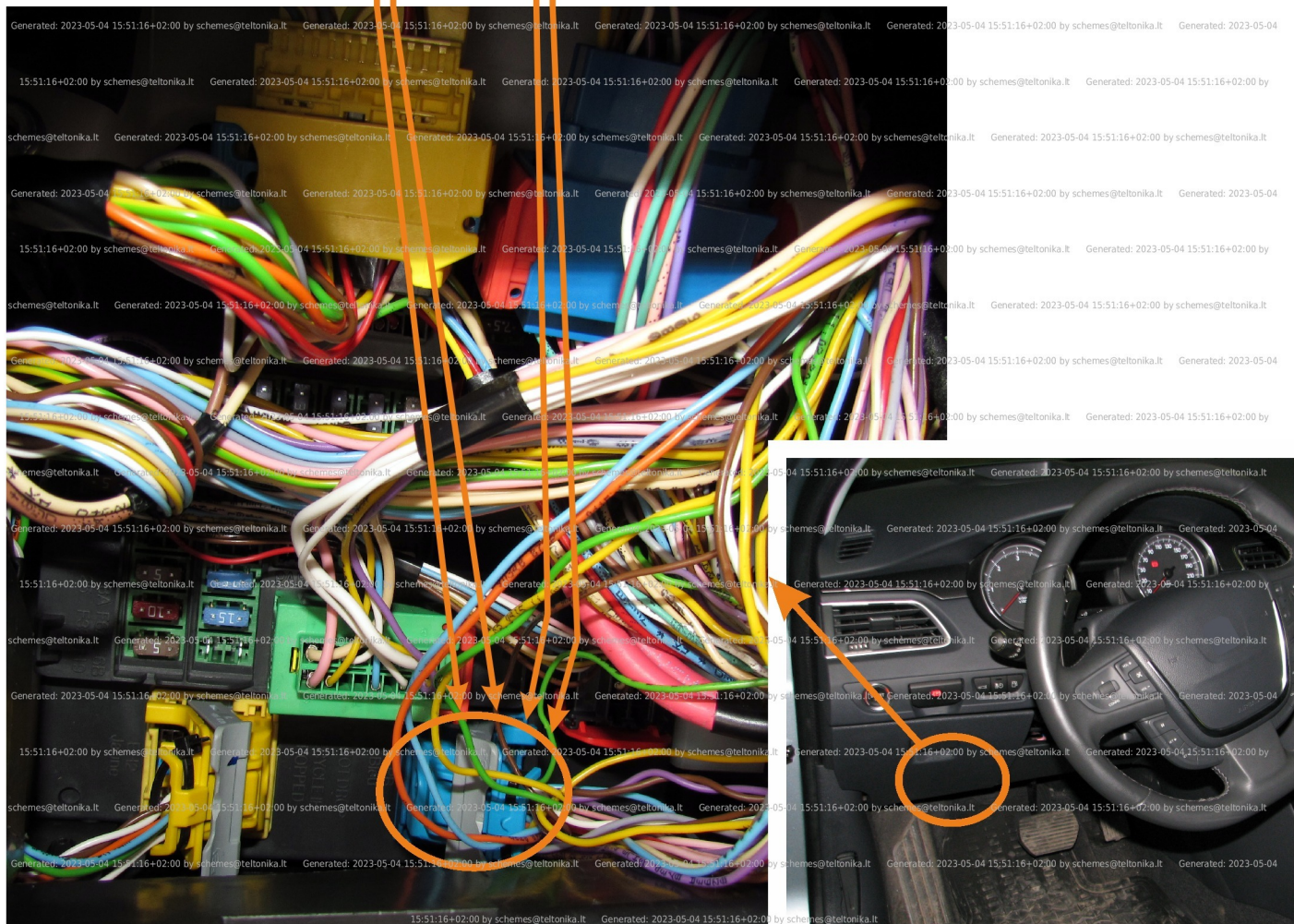
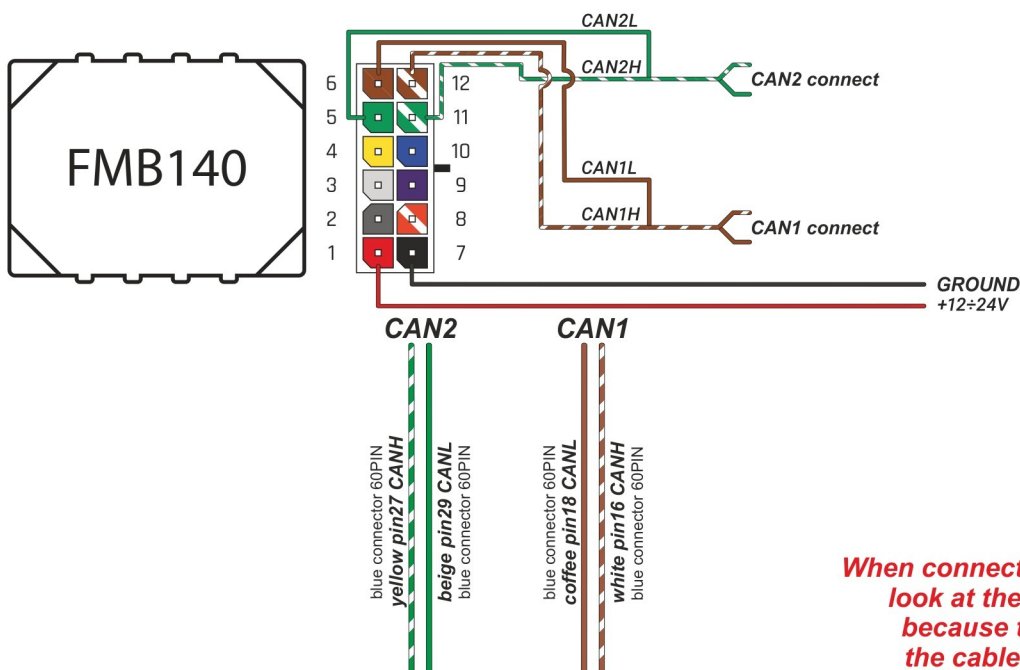


Brand, Model	Device: FMB140 LV-CAN	Year:	Rev.:
PEUGEOT 508		2011→	03
Version: with and without Keyless System (with factory alarm)		program №: 11298 from: 2020-03-24	



Flags:

Attention: - parameter is not available using the contactless reader.



General parameters:

- Total mileage of the vehicle (dashboard)
- Vehicle mileage - (counted)
- Total fuel consumption - (counted)
- Fuel level (in percent)
- Engine speed (RPM)
- Engine temperature
- Vehicle speed