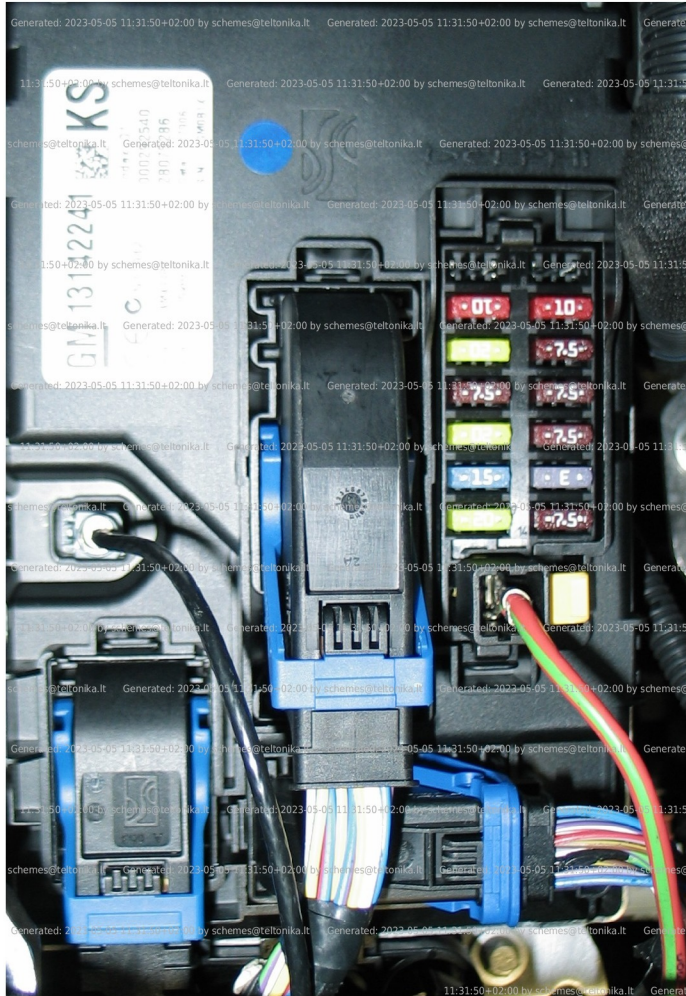
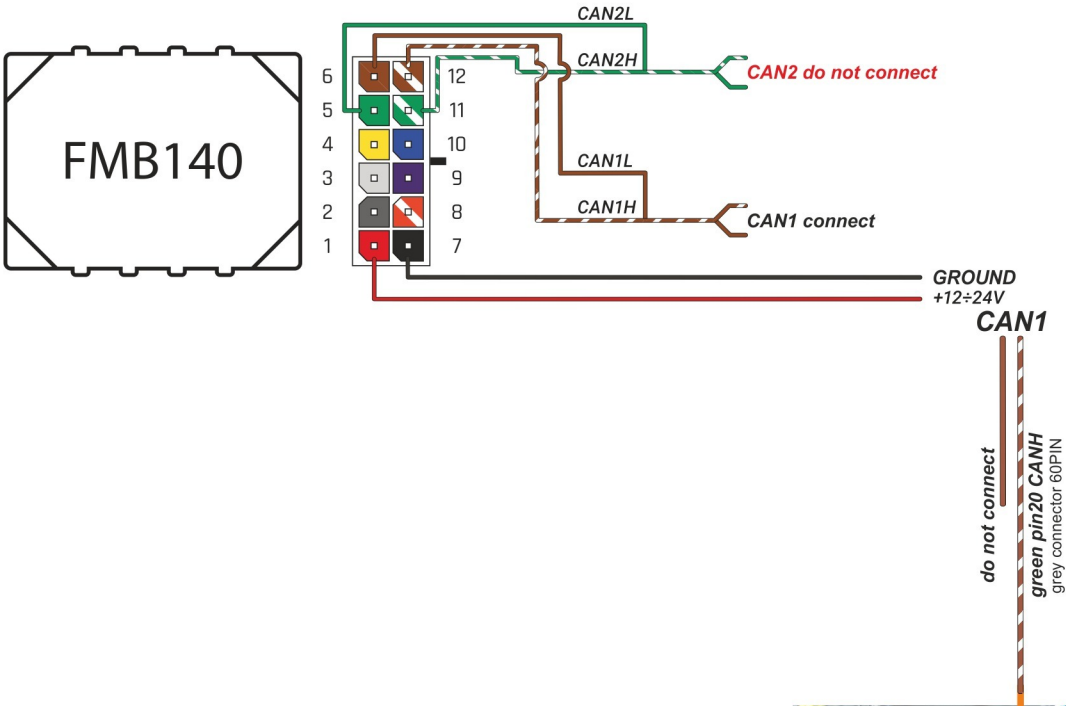


Brand, Model	Device: FMB140 LV-CAN	Year:	Rev.:
OPEL CORSA D		2009→	02
Version: with and without Keyless System		program №: 11354 from: 2017-09-01	



CONTROLLER MODULE (BACK)



Flags:



General parameters:

- Total mileage of the vehicle (dashboard)
- Fuel level (in percent)
- Vehicle speed
- Vehicle mileage - (counted)
- Engine speed (RPM)
- Acceleration pedal position
- Total fuel consumption - (counted)
- Engine temperature