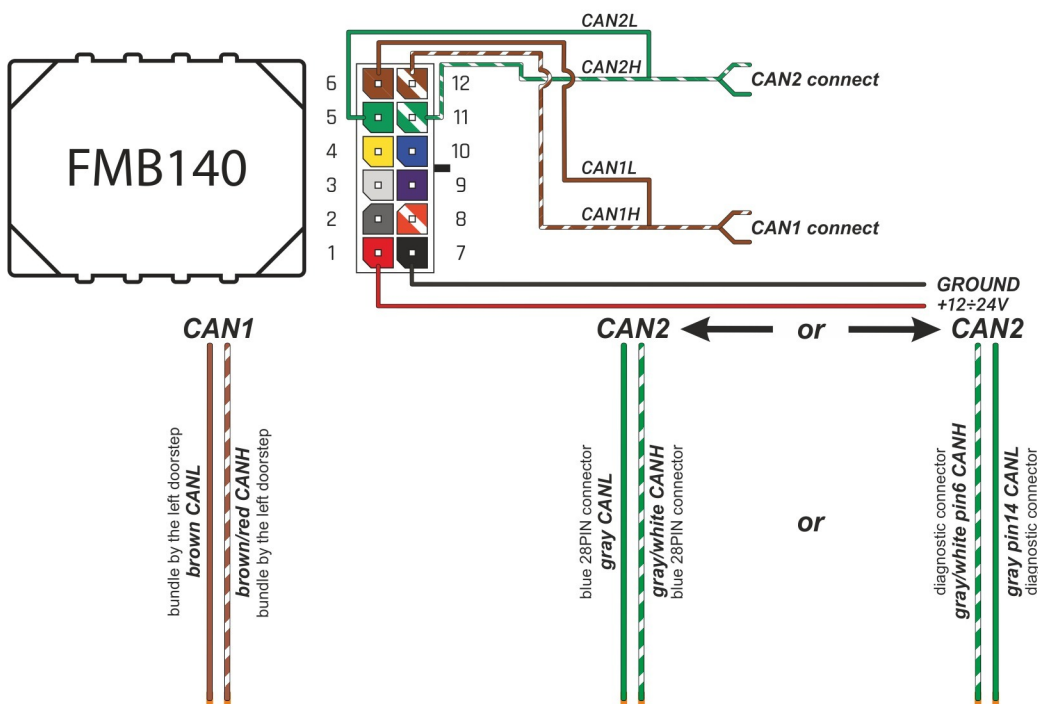
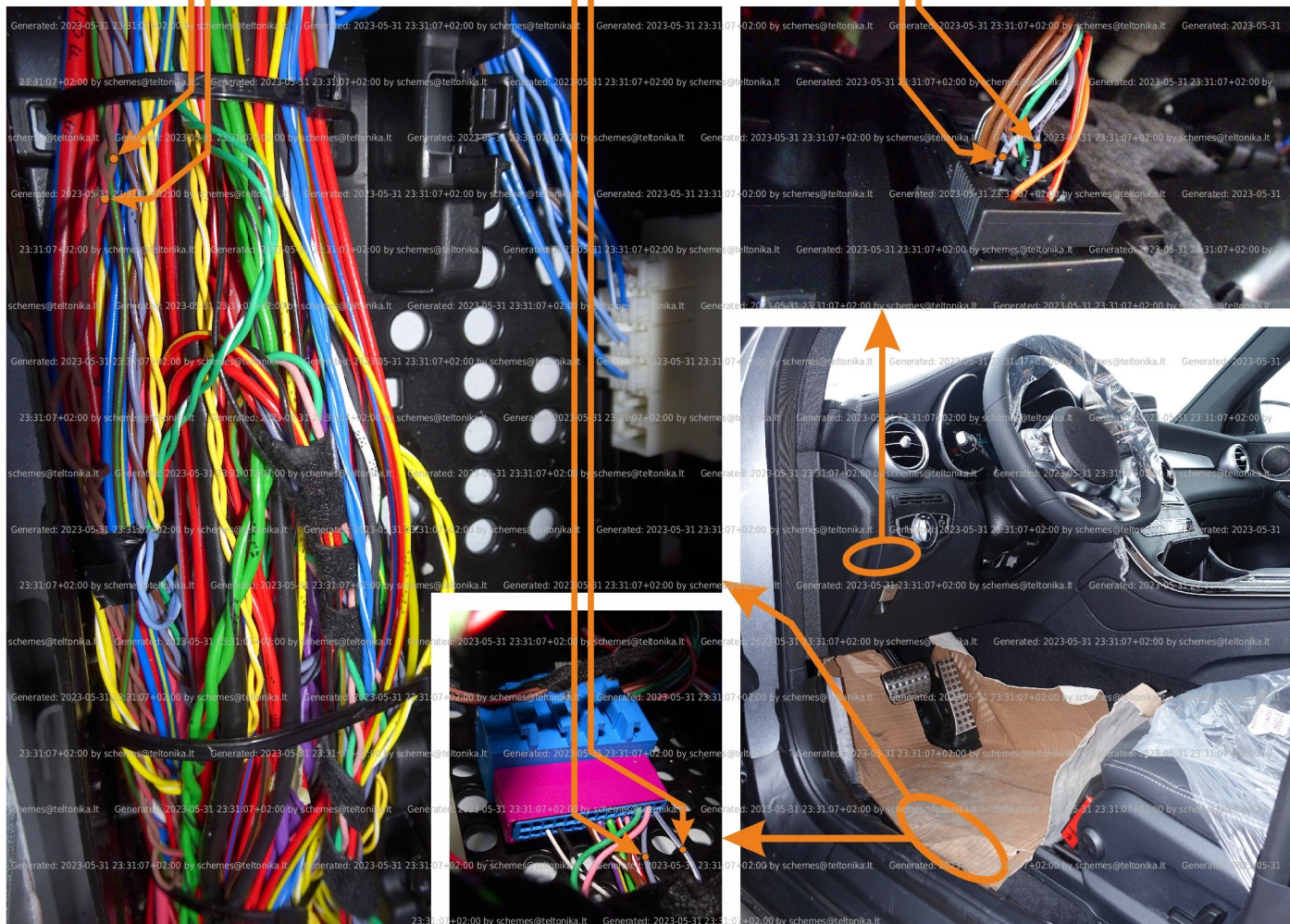


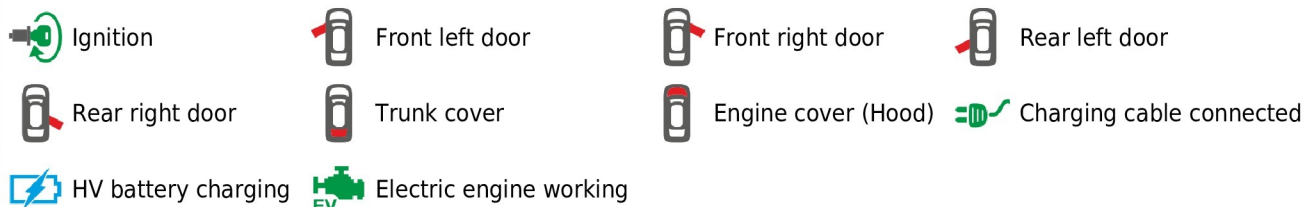
Brand, Model	Device: FMB140 LV-CAN	Year:	Rev.:
MERCEDES GLC (253) (Hybrid) (Plug-in)		2020→	04
Version: with and without Keyless System		program №: 13655 from: 2023-05-24	



VIN:
xxx253xxxxxxxxxxx



Flags:



General parameters:

- Total mileage of the vehicle (dashboard)
- Vehicle mileage - (counted)
- Total fuel consumption - (counted)
- Fuel level (in liters)
- Engine speed (RPM)
- Engine temperature
- Vehicle speed
- Acceleration pedal position
- HV battery level