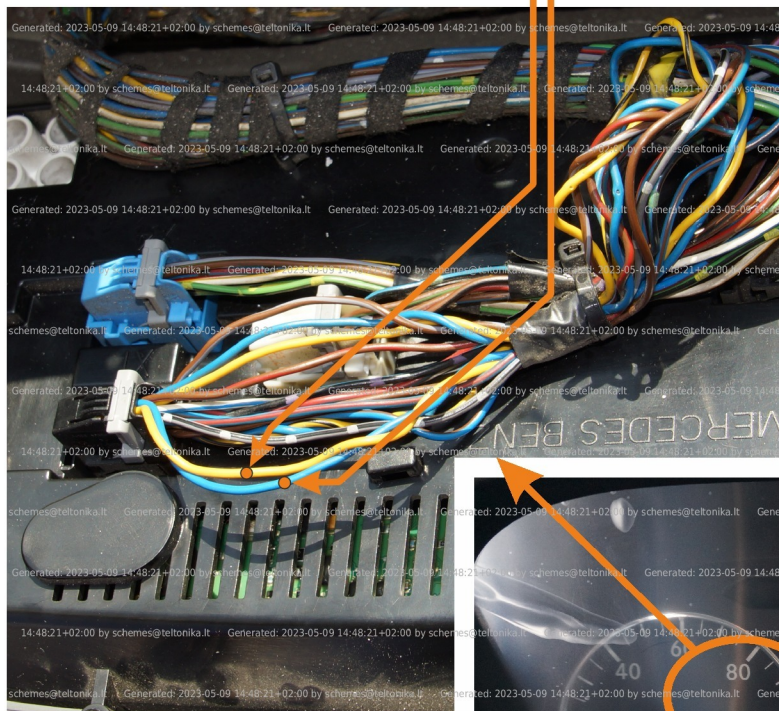
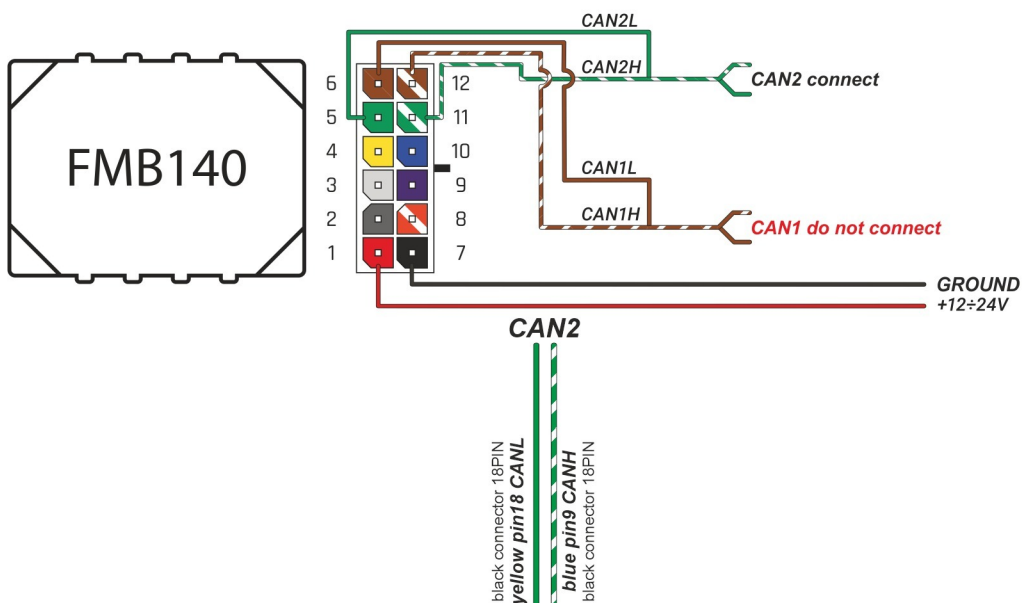


Brand, Model	Device: FMB140 LV-CAN	Year:	Rev.:
MERCEDES AXOR		2014→	06
Version:	program №: 11347 from: 2022-11-17		



Flags:



General parameters:

- Total mileage of the vehicle (dashboard)
- Vehicle mileage - (counted)
- Total fuel consumption
- Total fuel consumption - (counted)
- Fuel level (in percent)
- Engine speed (RPM)
- Engine temperature
- Vehicle speed
- Acceleration pedal position