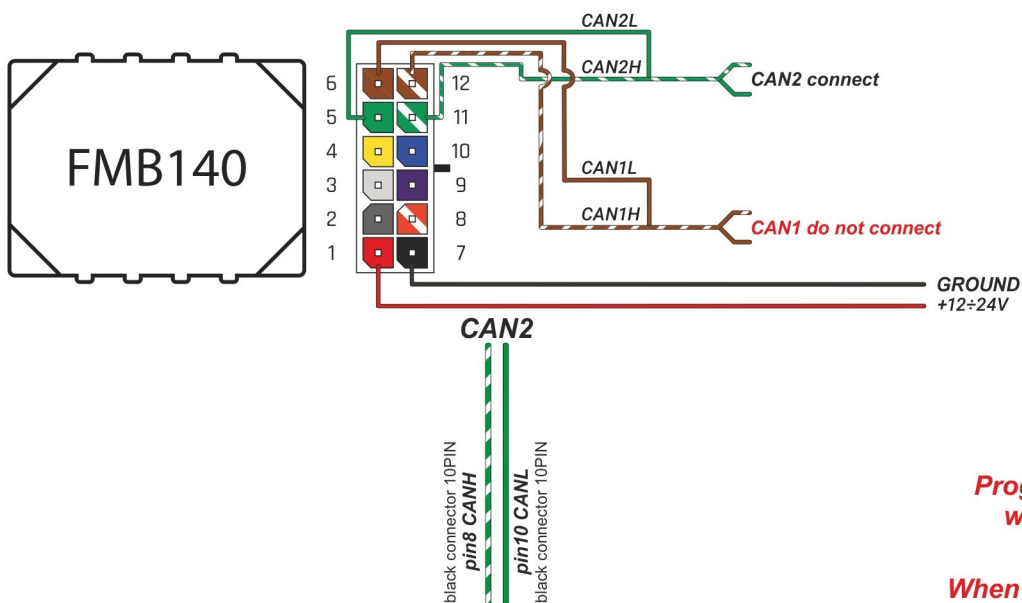
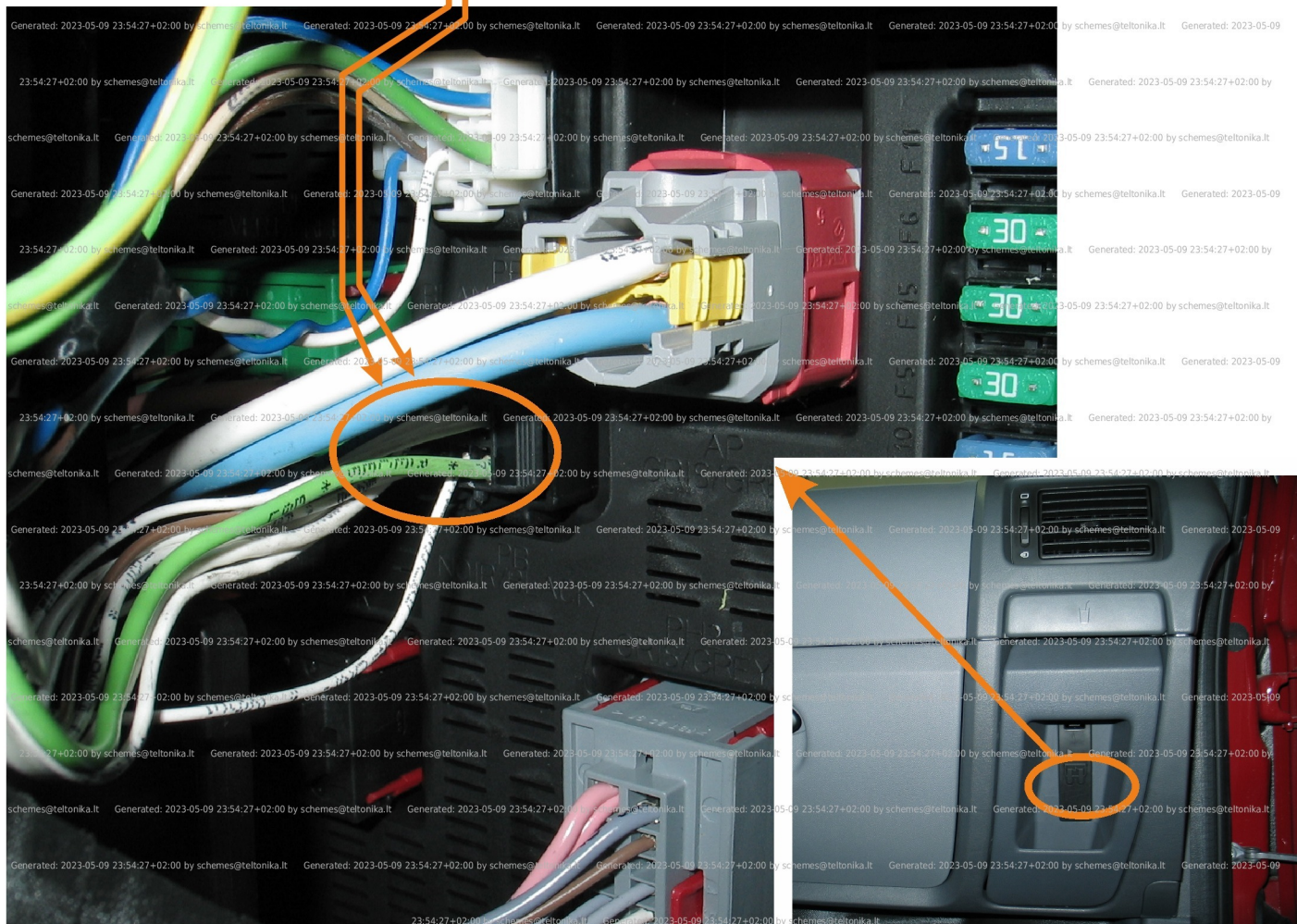


Brand, Model	Device: FMB140 LV-CAN	Year:	Rev.:
CITROEN JUMPY		2007→	05
Version: (without factory alarm)	program №: 11193 from: 2017-09-01		



Program 193 only for cars without factory alarm

When connecting, you should look at the pin number because the color of the cables may vary



Flags:



General parameters:

- Total mileage of the vehicle (dashboard)
- Fuel level (in percent)
- Vehicle speed
- Vehicle mileage - (counted)
- Engine speed (RPM)
- Total fuel consumption - (counted)
- Engine temperature