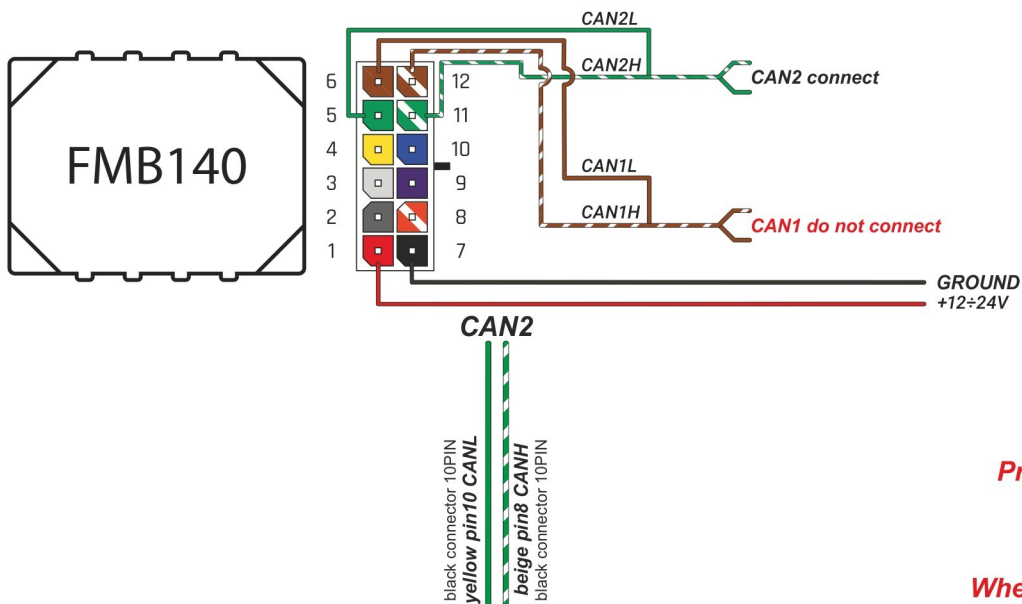
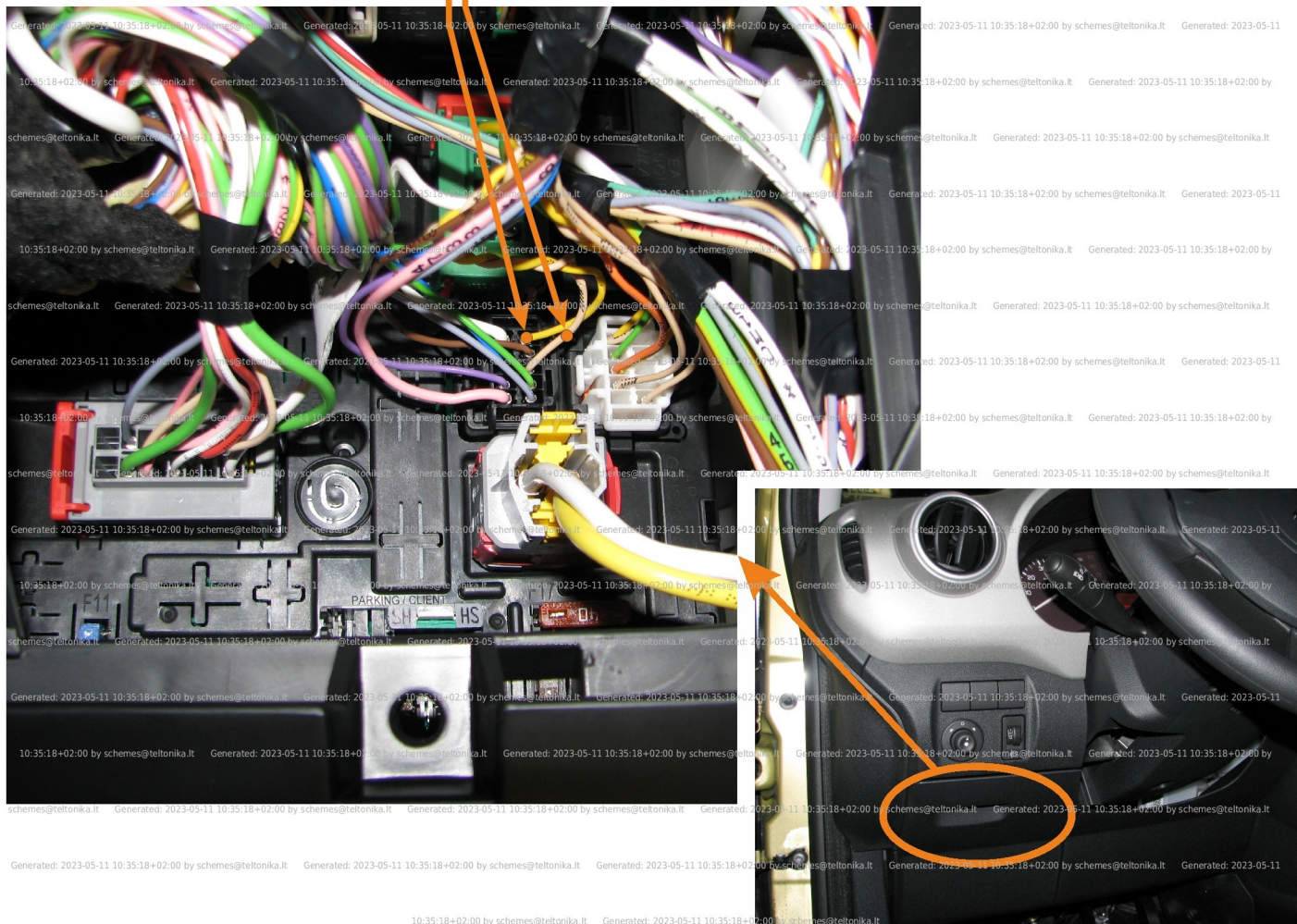


Brand, Model	Device: <b>FMB140 LV-CAN</b>	Year:	Rev.:
<b>CITROEN BERLINGO</b>		<b>2008→</b>	<b>04</b>
Version: <b>(without factory alarm)</b>	program №: <b>11193</b> from: <b>2017-09-01</b>		



**Program 193 only for cars without factory alarm**

**When connecting, you should look at the pin number because the color of the cables may vary**



## Flags:



## General parameters:

- Total mileage of the vehicle (dashboard)
- Fuel level (in percent)
- Vehicle speed
- Vehicle mileage - (counted)
- Engine speed (RPM)
- Total fuel consumption - (counted)
- Engine temperature